

# Adjustable Position Inlet Vacuum Filters

## CSL Series Threaded / ISO Flange

### Overview

Solberg's new adjustable position CSL vacuum filter series offers vacuum pump system packagers and users maximum installation flexibility. The housing is equipped with an ISO NW flange outlet connection to facilitate a full 360° rotation for optimum inlet connection placement.

With the optional fitting kit, adjustment is quick and easy. The proven two clamp system allows for adjustment in two directions. The filter housing can be removed from the pump with minimal effort when service or replacement is required.

### Features

- ISO flange outlet connection/threaded inlet connection
- Industrial duty carbon steel construction
- Fully drawn housing eliminates weld seams
- Corrosive resistant black powder coat carbon steel
- High integrity O-ring housing seal
- Stainless steel torsion clips

### Technical Specifications

- Temp (continuous): min -26°C (-15°F) max 104°C (220°F)
- Filter change out differential: 37-50 mbar over initial  $\Delta P$
- Paper: 99%+ removal efficiency standard to 2 micron

### Options



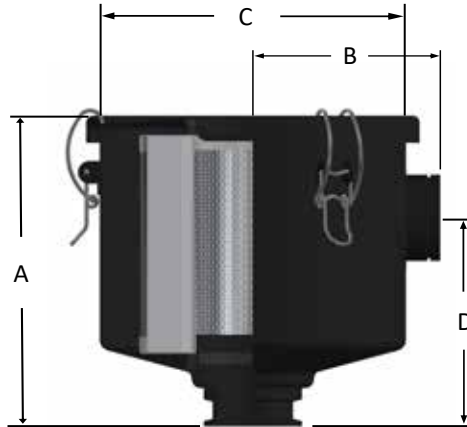
- Viton gasket/O-ring materials available
- Stainless steel (select models)
- Variety of media and chemical adsorbents available
- ISO flange elbow kit:
  - (2) Aluminum centering ring and O-ring
  - (2) ISO aluminum clamp
  - Stainless steel 90° elbow
  - ISO flange to threaded adapter



Optional ISO Flange Elbow Adapter

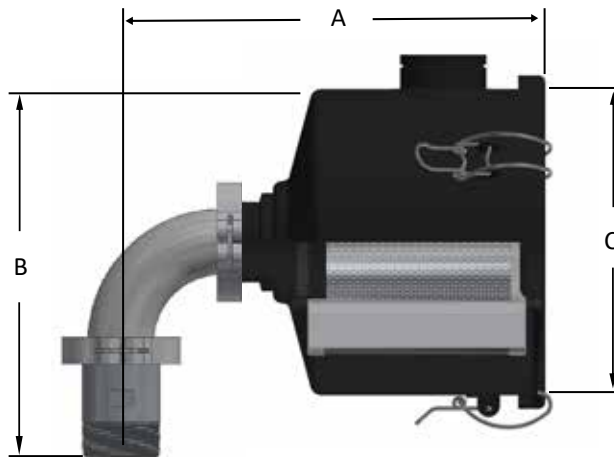
Rev: CSLKit-EU2007K

## CSL Series Threaded / ISO Flange



### Filter Assembly Only

Inlet BSPP	ISO Flange Outlet	Assembly m <sup>3</sup> /hr Rating	Reference Only		Reference Only Dimensions - mm				Suggested Service ht. mm	Replacement Element Part No. Paper	Element m <sup>3</sup> /hr Rating
			Model No.	Assembly Part Number Description	A	B	C	D			
3/8"	NW16	31	CSL0001413	CSL-824-039HC/NW16	97	54	95	56	68	824	43
3/4"	NW25	43	CSL0001412	CSL-842-076HC/NW25	111	78	146	70	70	842	94
1 1/4"	NW40	102	CSL0001411	CSL-848-126HC/NW40	174	105	187	117	121	848	196
2"	NW50	298	CSL0001410	CSL-850-201HC/NW50	264	114	196	133	222	850	493



### Filter Assembly with Elbow Kit

Inlet BSPP	Outlet BSPT	Assembly m <sup>3</sup> /hr Rating	Reference Only		Reference Only Dimensions - mm			Suggested Service ht. mm	Replacement Element Part No. Paper	Element m <sup>3</sup> /hr Rating
			Model No.	Assembly Part Number Description	A	B	C			
3/8"	3/8"	31	L9001-KIT-10	CSL-824-039HC/NW16	142	163	95	68	824	43
3/4"	3/4"	43	L9001-KIT-12	CSL-842-076HC/NW25	166	208	146	70	842	94
1 1/4"	1 1/4"	102	L9001-KIT-06	CSL-848-126HC/NW40	244	250	187	121	848	196
2"	2"	298	L9001-KIT-08	CSL-850-201HC/NW50	350	279	196	222	850	493

See Vacuum Filter Technical Data for sizing guidelines and service data.



**SOLBERG**

[www.solbergmfg.com](http://www.solbergmfg.com)

All model offerings and design parameters are subject to change without prior notice.  
Contact your representative or Solberg for the most current information.